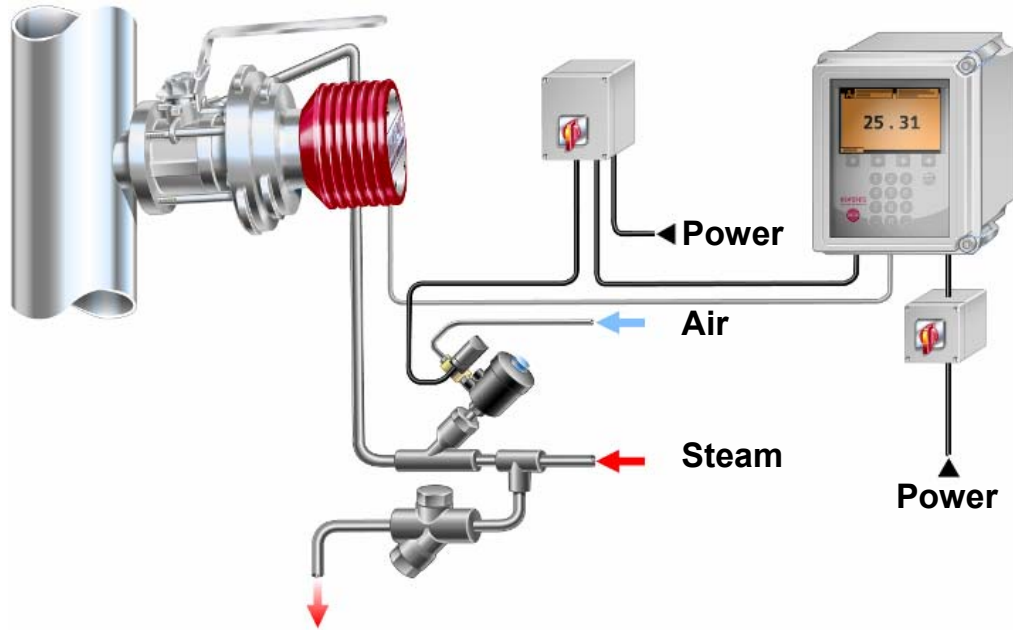


SAFE-DRIVE™ Sensor and Isolation valve

Shut-off valve

Transmitter



SAFE-DRIVE ISOLATION VALVE AND AUTOMATIC PRISM WASH WITH STEAM

Availability/Compatibility of features:	
Feature:	Availability/compatibility:
SAFE-DRIVE Isolation valve and Prism wash system with steam	SAFE-DRIVE™ Process Refractometer PR-23-SD



INTRODUCTION

The components of SAFE-DRIVE Process Refractometer PR-23-SD with a steam wash system are SAFE-DRIVE Sensor and Isolation valve with integral steam nozzle mounted at the isolation valve, a shut-off valve for steam line and an indicating transmitter equipped with relays to drive the wash valves. A steam pressure reducing valve and a strainer for the steam line are available as an option.

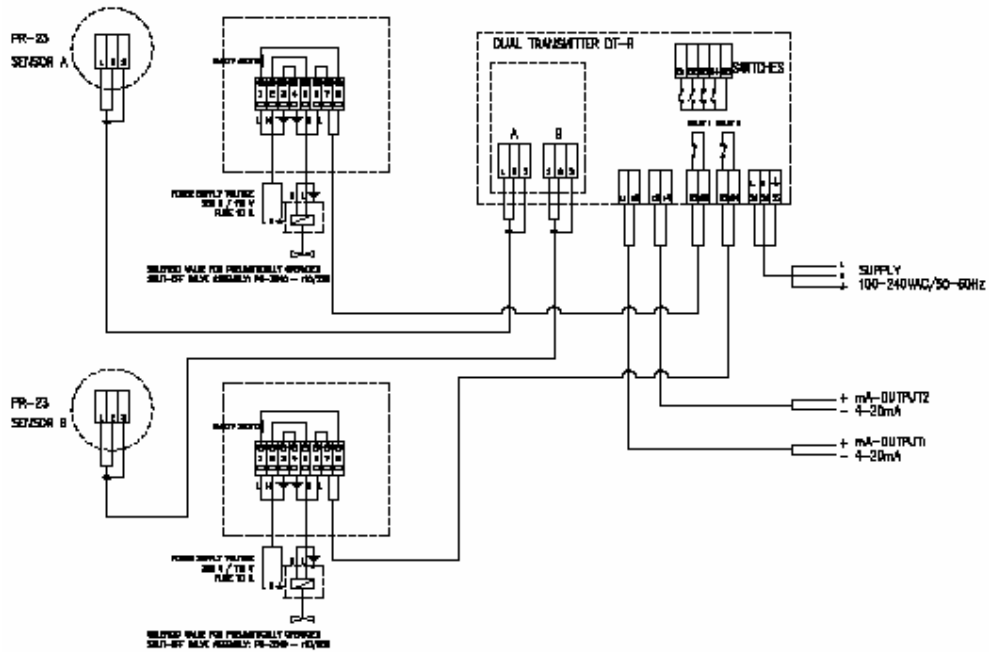
The retractable prism wash nozzle can be safely removed for service check.

The built-in relays of the Indicating transmitter can be configured to control the prism wash cycle.

Recommended steam pressure and wash times:

Minimum above process pressure	Maximum above process pressure	Wash time
2 bar (30 psi)	6 bar (90 psi)	3-5 seconds

SAFE-DRIVE and prism wash system for steam: wiring.



Mounting steam wash to SAFE-DRIVE Isolation valve

