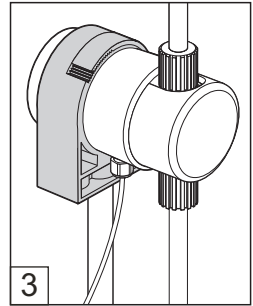
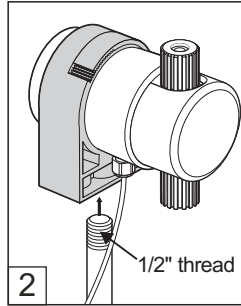
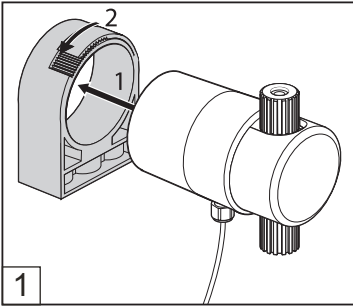


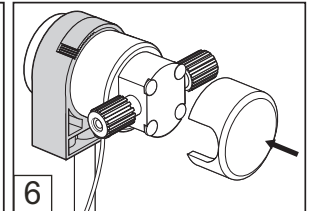
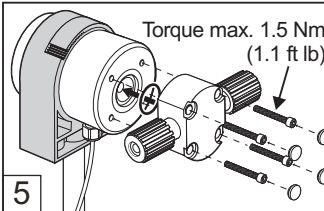
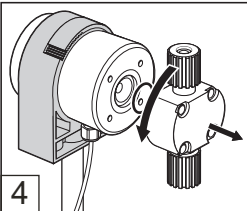
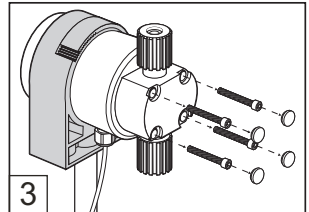
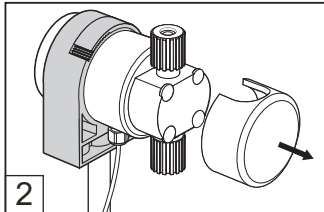
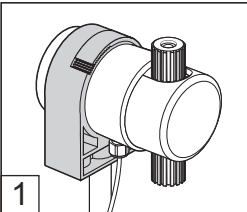
PR-33-S MOUNTING RECOMMENDATION

- SENSOR HORIZONTAL
- CABLE DOWNWARDS
- SENSOR SUPPORT
- HIGH VELOCITY (>1.5 m/s [5 ft/s])
- HIGH TEMPERATURE
- HIGH PRESSURE

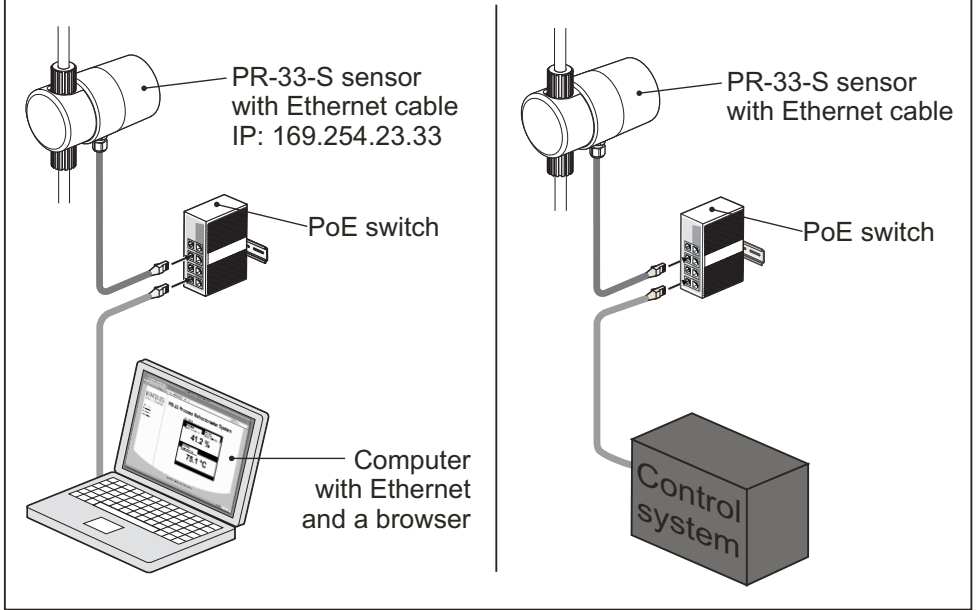
SENSOR SUPPORT



CHANGE OF FLOW CELL ORIENTATION



ETHERNET CONNECTION



SYSTEM CONFIGURATION, OPTIONAL mA OUTPUT UNIT

