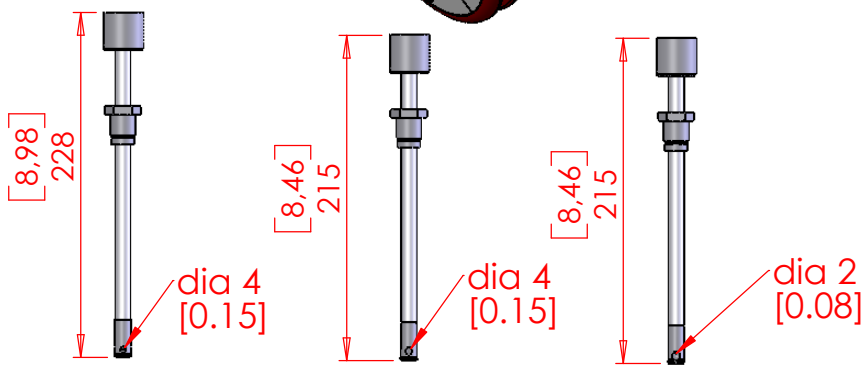
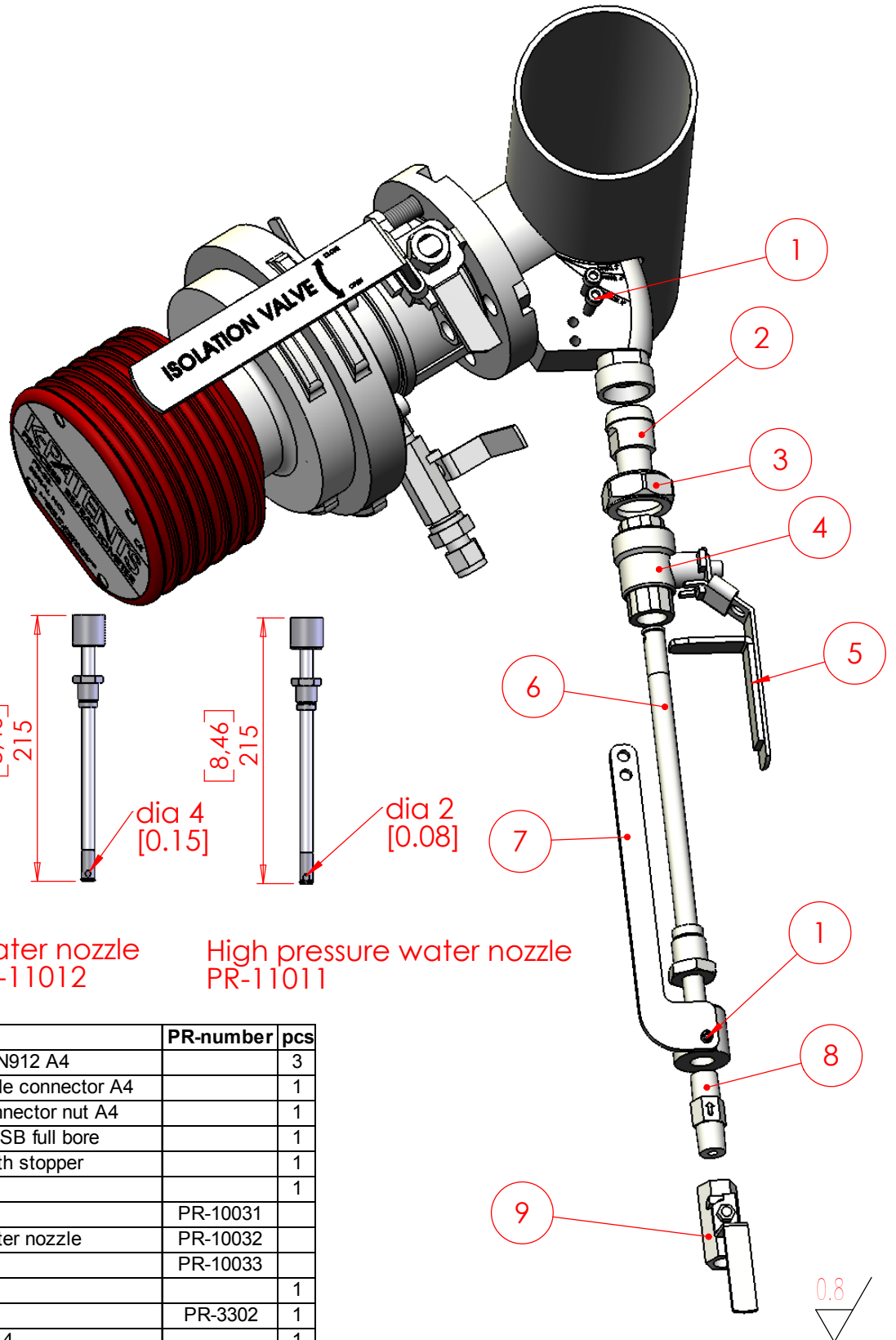


Mark	Rev.	Date	Rev. by	Appr.



Steam nozzle
PR-11010

Water nozzle
PR-11012

High pressure water nozzle
PR-11011

Part no.	Description	PR-number	pcs
1	Screw M5x6 DIN912 A4		3
2	3/8" conical male connector A4		1
3	3/8" conical connector nut A4		1
4	3/8" ball valve KSB full bore		1
5	Valve handle with stopper		1
6	Wash nozzle		1
6.1	Steam nozzle	PR-10031	
6.2	Pressurized water nozzle	PR-10032	
6.3	Water nozzle	PR-10033	
7	Nozzle guide		1
8	Check valve	PR-3302	1
9	Ball valve 1/4" A4		1

Part no.	Drawing no.	Title/Name, designation	Standard	Dimensions, model no.	Quantity
----------	-------------	-------------------------	----------	-----------------------	----------

General tolerances SFS 4011 FINE	Scale 1 : 3	Join MRP0000	File MTG482.drw	Material	
--	-----------------------	------------------------	---------------------------	----------	--

<h1 style="margin: 0;">K-PATENTS</h1> <h2 style="margin: 0;">PROCESS INSTRUMENTS</h2>	Drawing description PR-23-SD nozzle assembly	
	Drawing number MTG482	Drawn 25.10.06 HS
		Appr. 25.10.06 HS