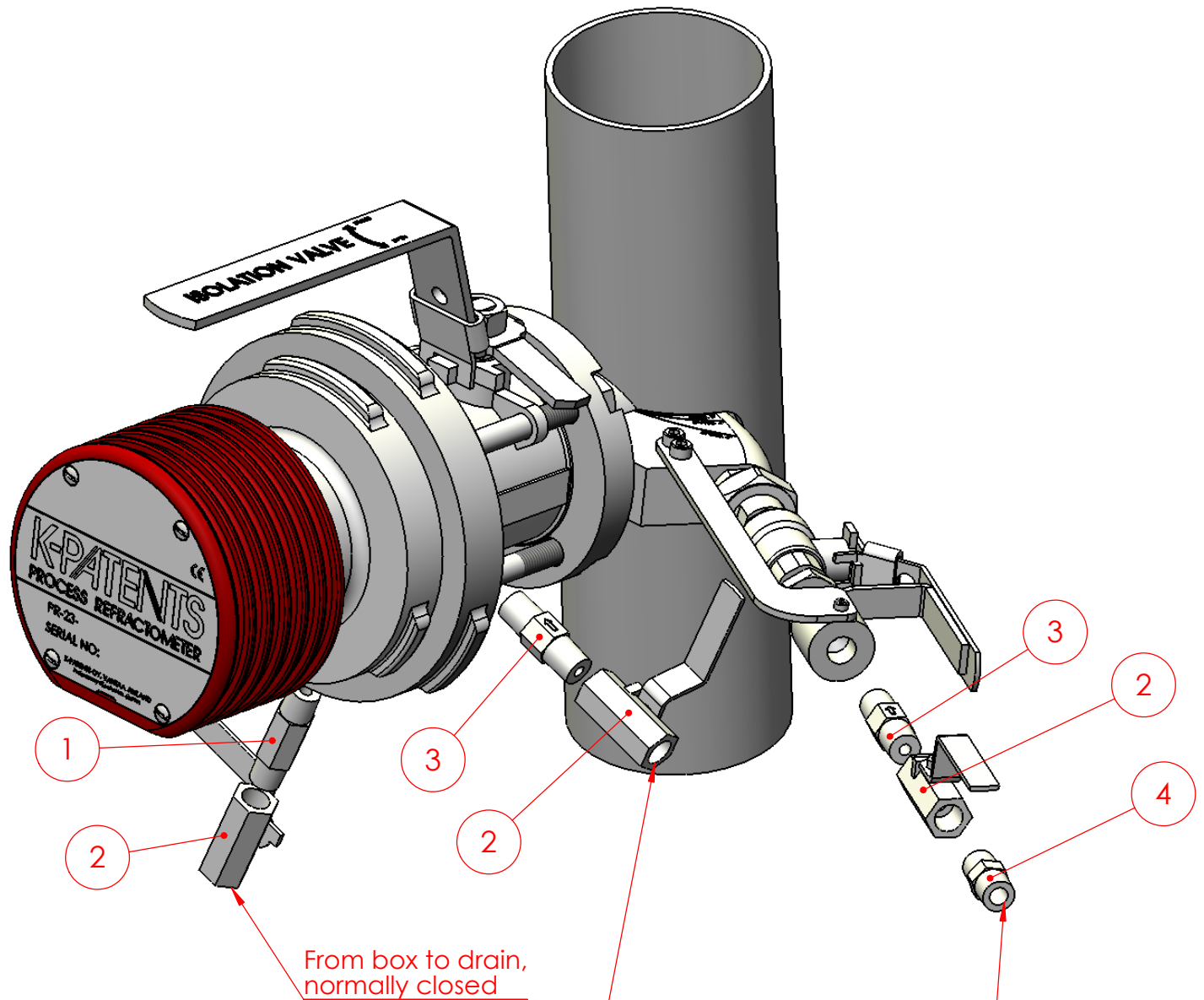


Mark	Rev.	Date	Rev. by	Appr.



Box water flushing before retraction
 -1-2 bar (15-30psi) over process pressure
 -flow 0,2-0,5l/min (0,04-0,1GPM)
 -Temperature 50-60°C (120-140°F)

Prism water wash
 -see manual 4.2.1 for recommended wash pressures and times

No.	Description	Art. number	Qty
1	Nipple for SD		1
2	1/4" ball valve	PR-3516	3
3	Check valve	PR-3303	2
4	1/4" hexagon nipple		1



Part no.	Drawing no.	Title/Name, designation	Standard	Dimensions, model no.	Quantity
----------	-------------	-------------------------	----------	-----------------------	----------

General tolerances SFS 4011 FINE	Scale 1 : 3	Join MRP0000	File MTG481.drw	Material	
--------------------------------------------	-----------------------	------------------------	---------------------------	----------	--

	Drawing description PR-23-SD HP wash fittings mounting	
	Drawing number MTG481	Drawn 30.3.06 HS
		Appr. 30.3.06 HS