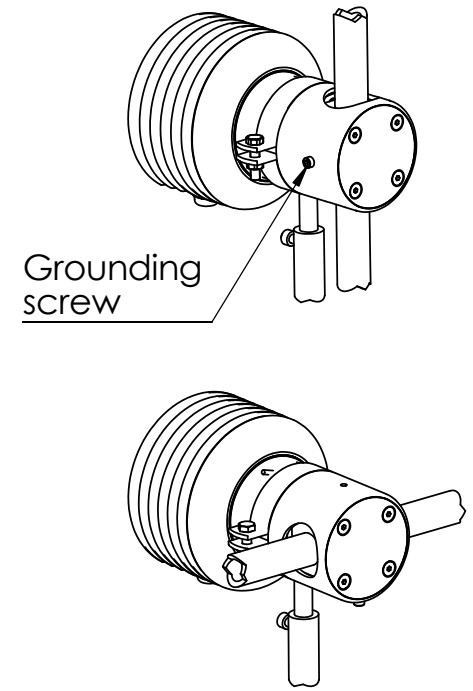
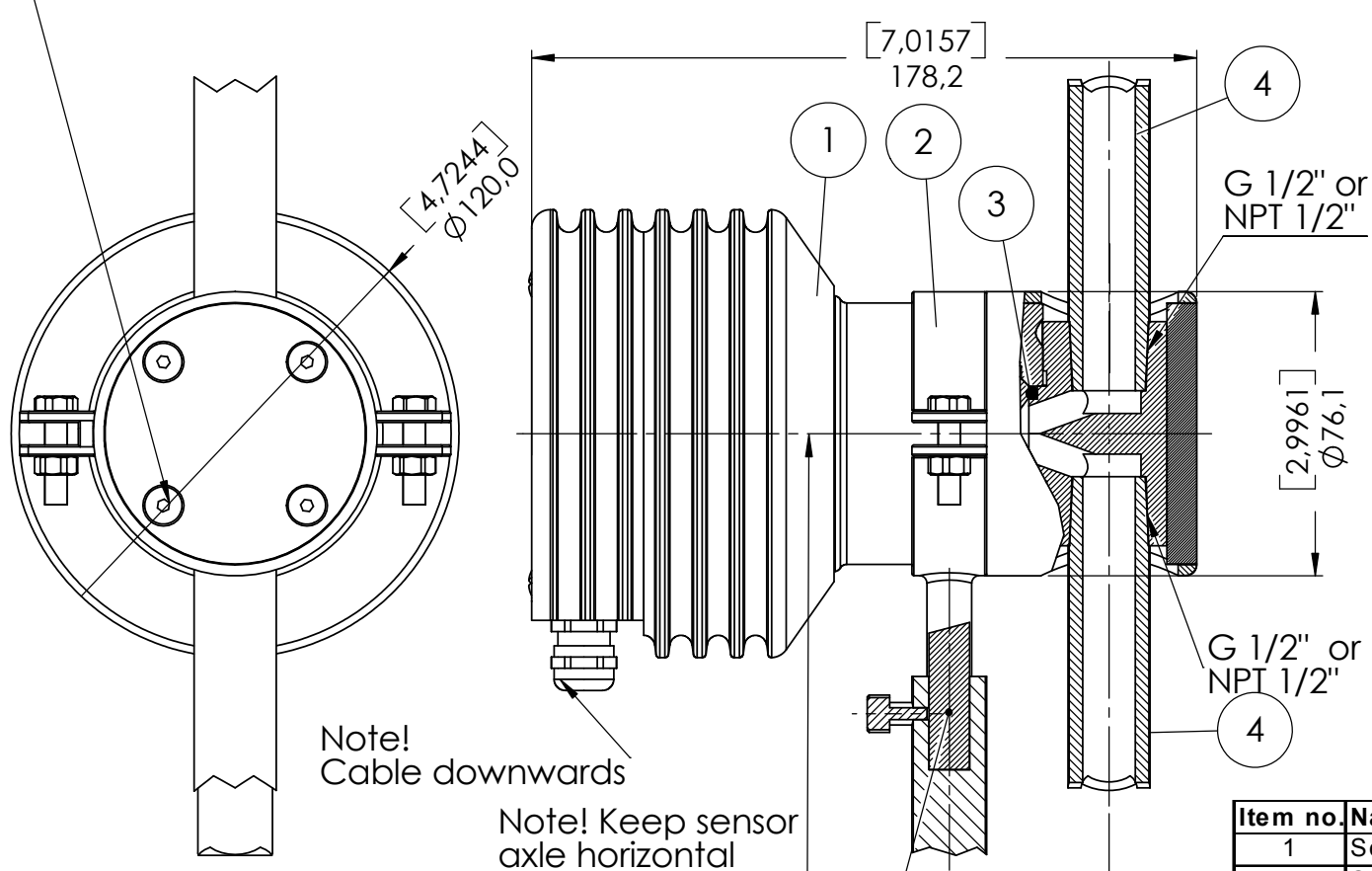


Mark	Rev.	Date	Rev. by	Appr.

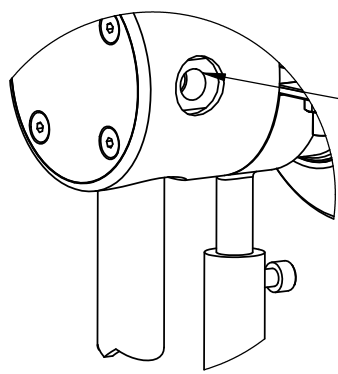
Flowcell can be rotated 90 deg by opening these screws



Note! Cable downwards

Note! Keep sensor axle horizontal

Item no.	Name	Material	Supplied by	Pcs.
1	Sensor PR-23-M		K-Patents	1
2	Sensor support	AIS304	K-Patents	1
3	O-ring 19.2x3	Kalrez	K-Patents	1
4	Process pipe		Customer	2



Check port 1/8" (F) thread

DETAIL A
SCALE 2 : 5

Part no.	Drawing no.	Title/Name, designation	Standard	Dimensions, model no.	Quantity
General tolerances SFS 4011 FINE	Scale 1 : 2	Join	File MTG452.DWG		
<h1>K-PATENTS</h1> <h2>PROCESS INSTRUMENTS</h2>			Drawing description Mounting PR-23-M		
			Drawing number MTG452		Drawn 12.11.04 HS Appr. 12.11.04 HS