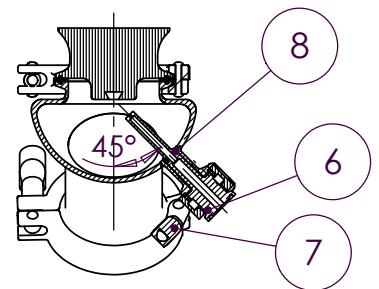
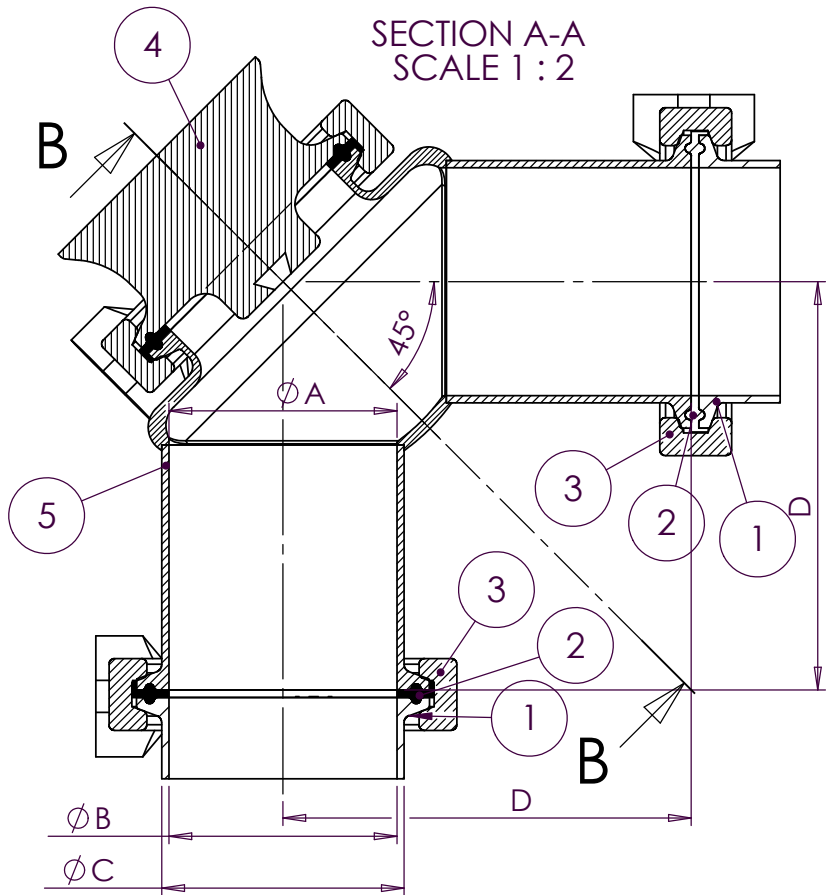
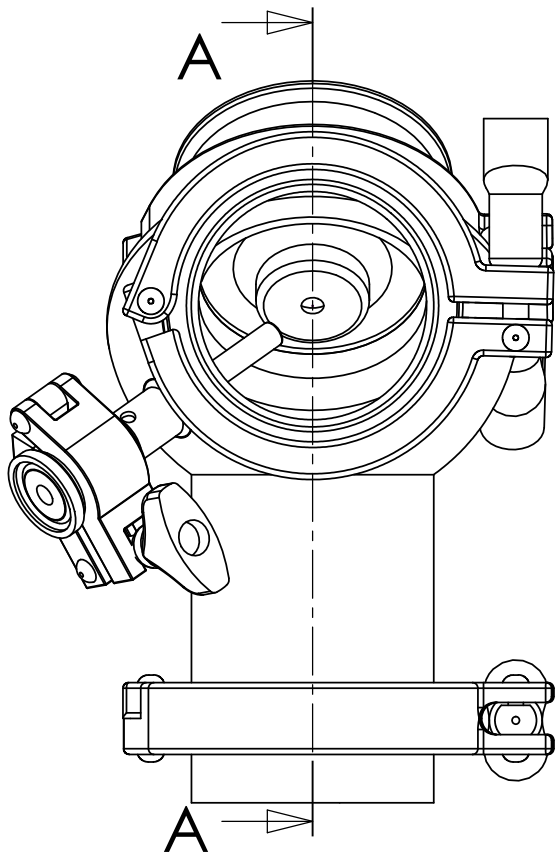
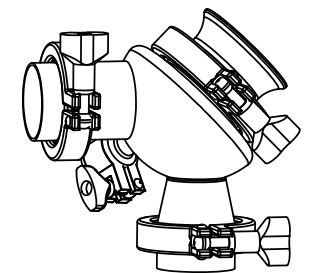


Mark	Rev.	Date	Rev. by	Appr.
A	Drawing updated	17.3.05	HS	HS



Flow cell type	A	B	C	D
AFC-HSS-H20-RI-NC	35.6 [1.402]	48.6 [1.913]	51.6 [2.031]	89 [3.504]
AFC-HSS-H20-SI-NC	48.6 [1.913]	48.6 [1.913]	51.6 [2.031]	89 [3.504]
AFC-HSS-H25-RI-NC	60.3 [2.374]	60.3 [2.374]	64.1 [2.524]	108 [4.252]

Item No.	Description	Material	Supplied by	Qty/Pcs.
1	Sanitary ferrule 2"/2.5"	AISI316L	Customer	2
2	Sanitary gasket 2"/2.5"	EPDM	Customer	2
3	Sanitary clamp 2"/2.5"	AISI304	Customer	2
4	PR-03-A/PR-23-AC sensor		K-Patents	1
5	AFC-HSS-H20/H25-SI/RI-NC Flow cell	AISI316L	K-Patents	1
6	Nozzle	AISI316L	K-Patents	1
6.1	Blind nozzle	AISI316L	K-Patents	
6.2	Steam Nozzle (SN)	AISI316L	K-Patents	
6.3	Pressurized nozzle (PN)	AISI316L	K-Patents	
6.4	Water nozzle(WN)	AISI316L	K-Patents	
7	Sanitary clamp 0.5"	AISI304	K-Patents	1
8	O-ring 6.3x2.4mm	EPDM	K-Patents	1



AFC-HSS-H20-RI-NC

General tolerances SFS4011 FINE	Scale 1:2	Join MRP0000	File MTG431	Material	
------------------------------------	--------------	-----------------	----------------	----------	--

K-PATENTS
PROCESS INSTRUMENTS

Drawing description AFC-HSS-H20/H25-SI/RI-NC	
Drawing number MTG431/A	Drawn 1.9.2004 HS Appr. 1.9.2004 HS