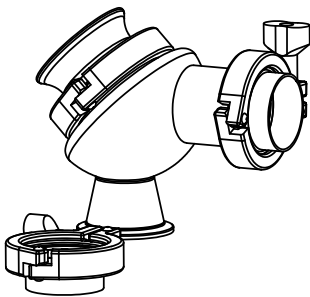
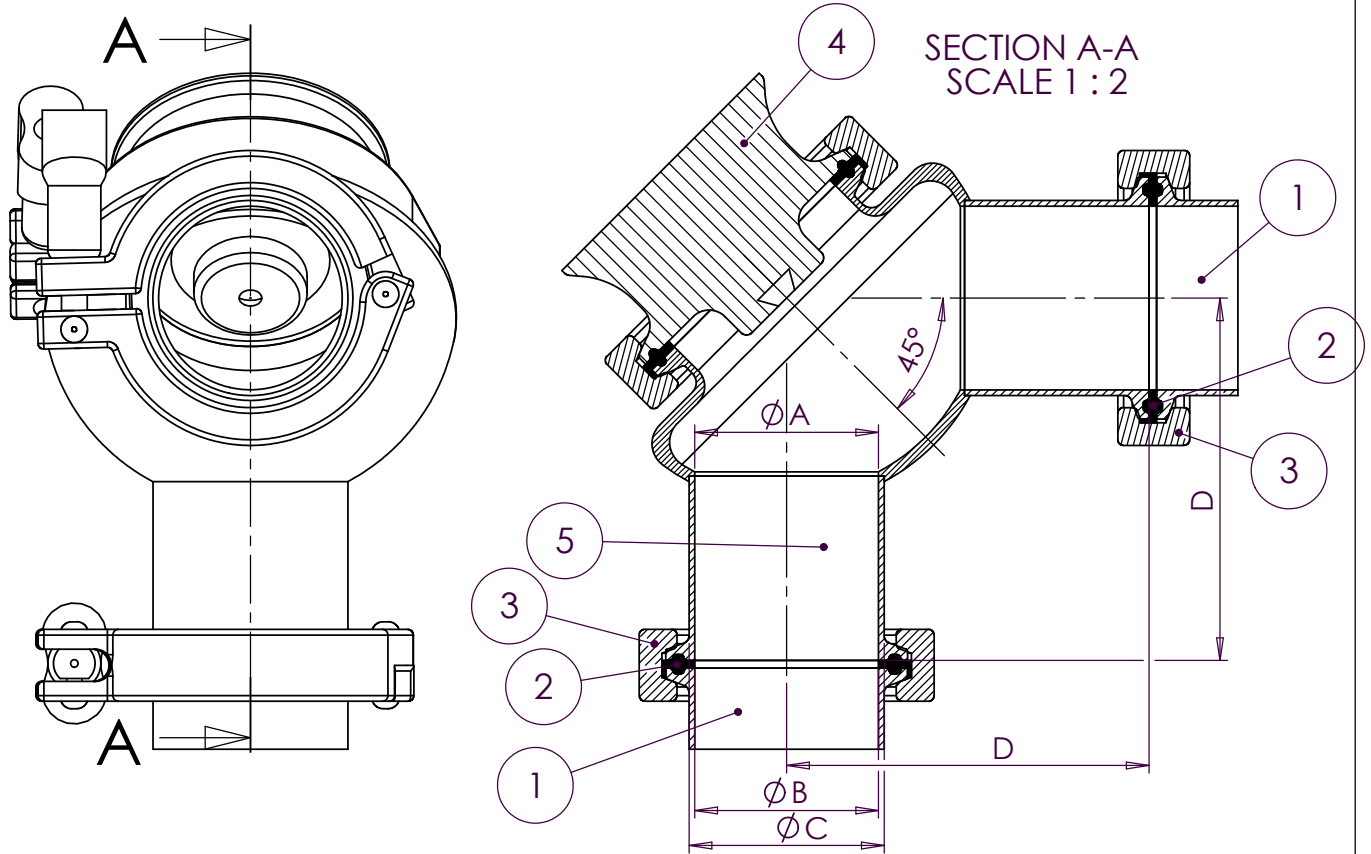
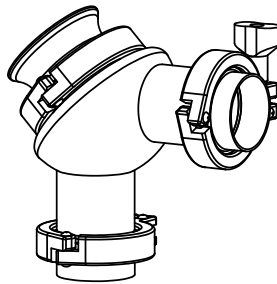


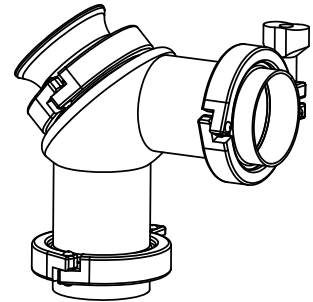
Mark	Rev.	Date	Rev. by	Appr.
B	Drawing updated	27.2.06	HS	HS



AFC-HSS-H20-RI



AFC-HSS-H20-SI



AFC-HSS-H25-SI

Flow cell type	A	B	C	D
AFC-HSS-H20-RI	35.6 [1.402]	48.6 [1.913]	51.6 [2.031]	89 [3.504]
AFC-HSS-H20-SI	48.6 [1.913]	48.6 [1.913]	51.6 [2.031]	89 [3.504]
AFC-HSS-H25-SI	60.3 [2.374]	60.3 [2.374]	64.1 [2.524]	108 [4.252]

Item No.	Description	Material	Supplied by	Qty/Pcs.
1	Sanitary ferrule 2"/2.5"	AISI316L	Customer	2
2	Sanitary gasket 2"/2.5"	EPDM	Customer	2
3	Sanitary clamp 2"/2.5"	AISI304	Customer	2
4	PR-03-A/PR-23-AC sensor		K-Patents	1
5	AFC-HSS-H20/H25-SI/RI Flow cell	AISI316L	K-Patents	1

General tolerances	Scale	Join	File	Material	
SFS 4011 FINE	1:2		MTG430.drw	AISI316L	

K-PATENTS
PROCESS INSTRUMENTS

Drawing description	Drawn 21.2.2005 HS Appr. 21.2.2005 HS
AFC-HSS-H20/H25-RI/SI	
Drawing number	
MTG430/B	