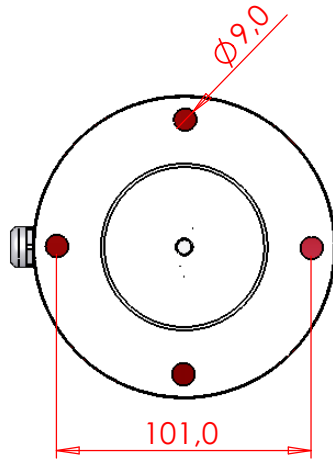
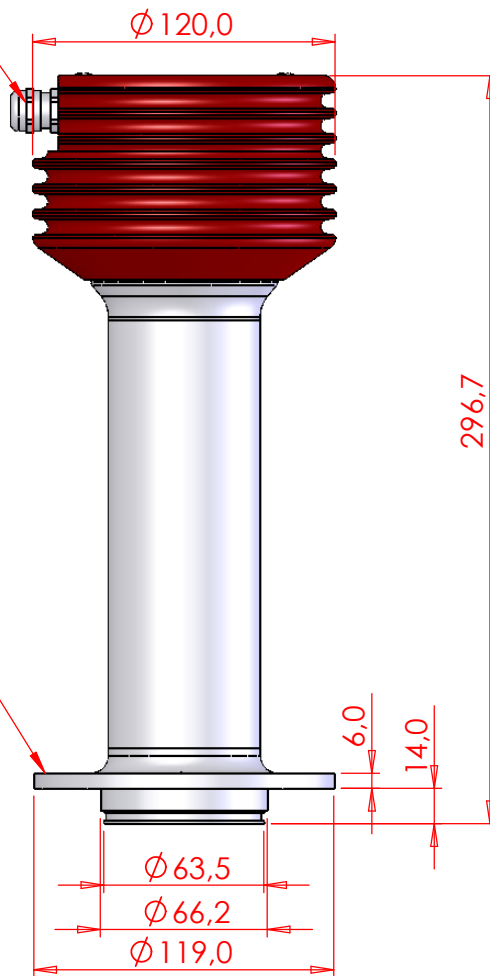


Mark	Rev.	Date	Rev. by	Appr.
A	Dimension corrected	3.2.06	HS	HS



M16 CABLE GLAND



APV MT 4 DN 25/1T
tank bottom flange



Part no.	Drawing no.	Title/Name, designation	Standard	Dimensions, model no.	Quantity
General tolerances	Scale	Join	File	Material	
SFS 4011 FINE	1 : 2	MRP0000	DIM467.drw		
			Drawing description		
			PR-23-AP-PSS Sensor		
			Drawing number	Drawn	2.2.06 HS
			DIM467/A	Appr.	2.2.06 HS