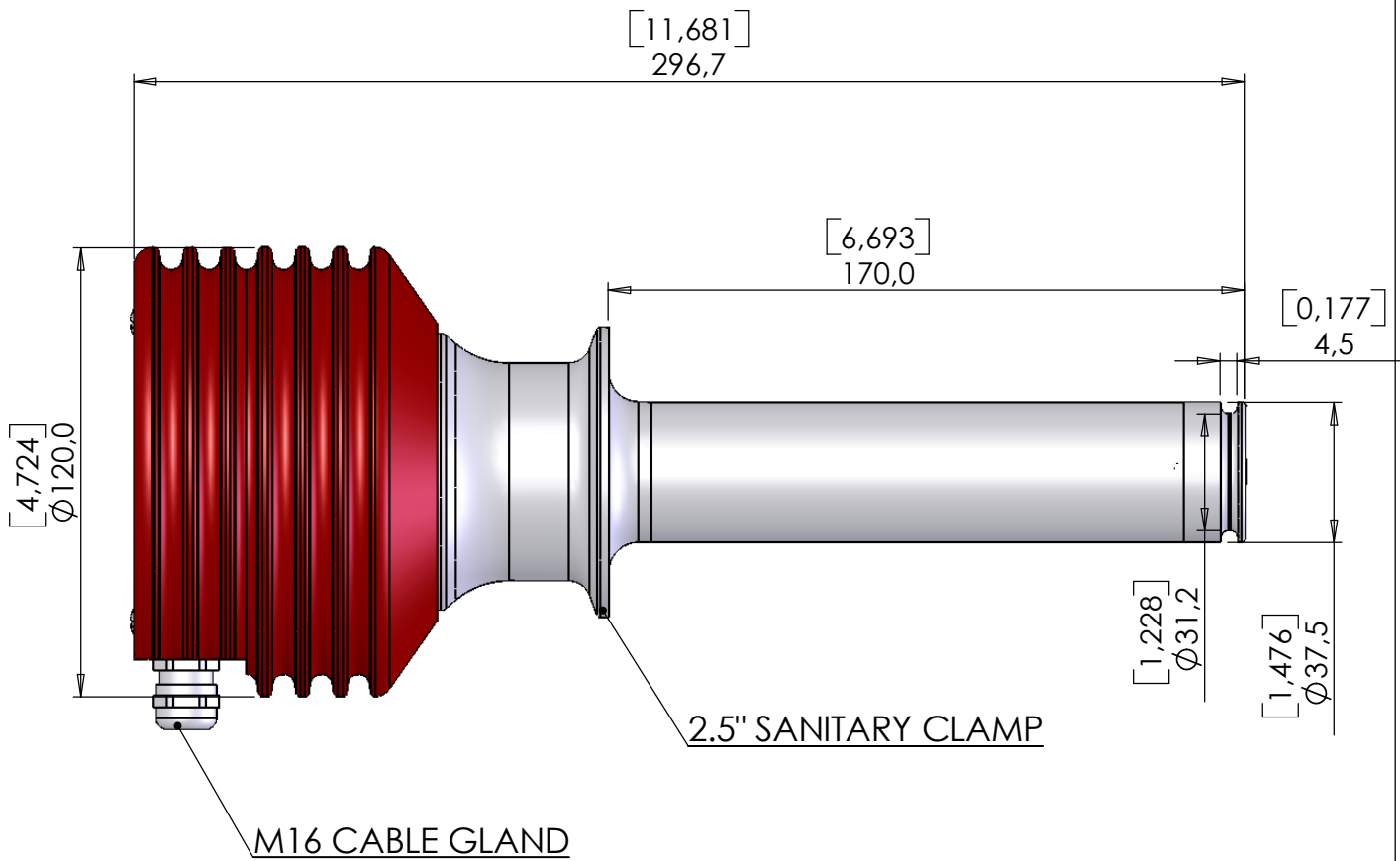


Mark	Rev.	Date	Rev. by	Appr.



Part no.	Drawing no.	Title/Name, designation	Standard	Dimensions, model no.	Quantity
----------	-------------	-------------------------	----------	-----------------------	----------

General tolerances SFS 4011 FINE	Scale 1 : 2	Join MRP0000	File DIM466.drw	Material	
-------------------------------------	----------------	-----------------	--------------------	----------	--

	Drawing description PR-23-AP-V Sensor	
	Drawing number DIM466	Drawn 30.1.06 HS
		Appr. 30.1.06 HS