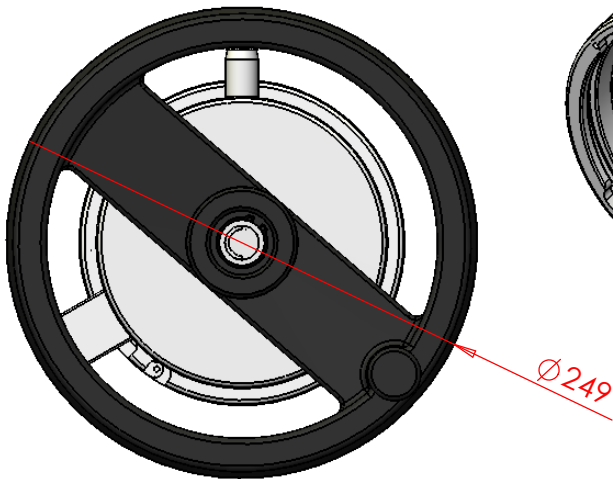
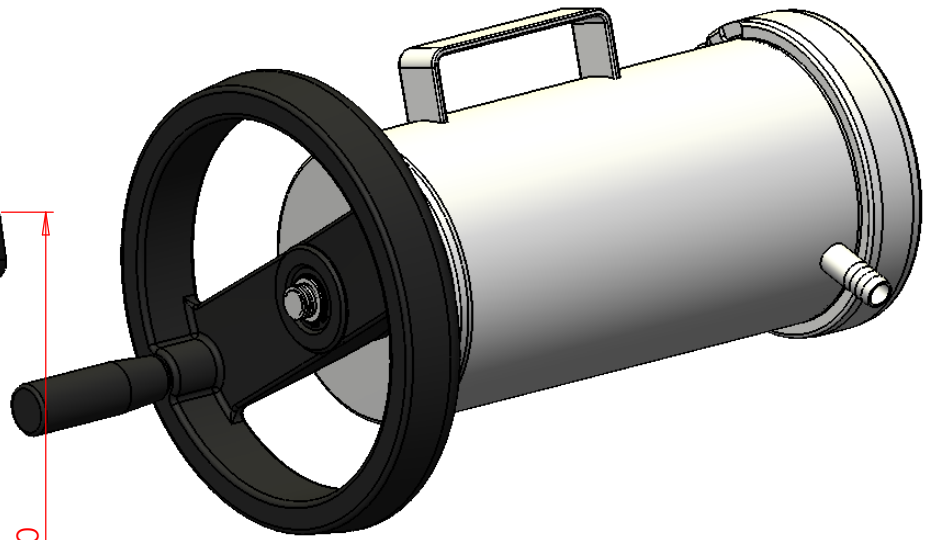
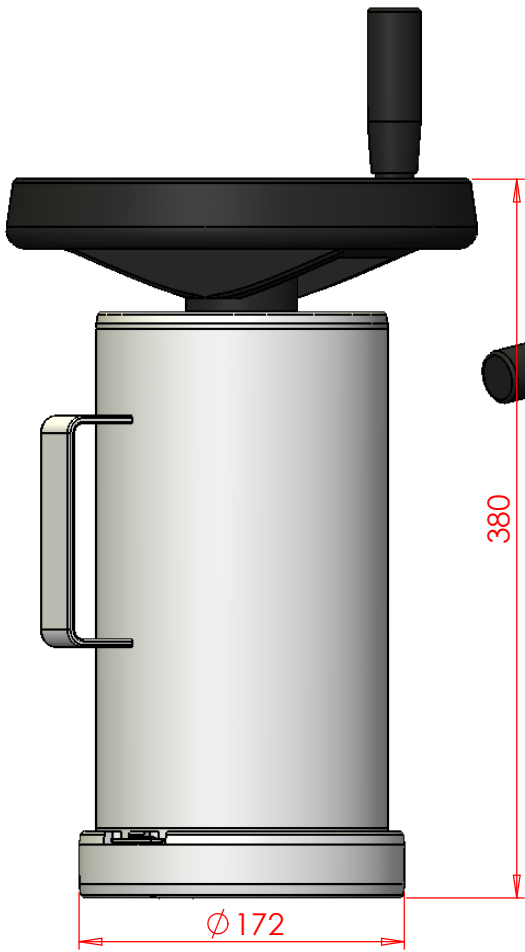


| | | | | |
|------|------|------|---------|-------|
| Mark | Rev. | Date | Rev. by | Appr. |
| | | | | |



| | | | | | |
|----------|-------------|-------------------------|----------|-----------------------|----------|
| Part no. | Drawing no. | Title/Name, designation | Standard | Dimensions, model no. | Quantity |
|----------|-------------|-------------------------|----------|-----------------------|----------|

| | | | | | |
|--|-----------------------|------------------------|---------------------------|----------|--|
| General tolerances SFS 4011 FINE | Scale 1 : 4 | Join MRP0000 | File DIM464.drw | Material | |
|--|-----------------------|------------------------|---------------------------|----------|--|

| | | |
|--|--|--|
| | Drawing description Safe-Drive retractor tool SDR-23 | |
| | Drawing number DIM464 | Drawn 20.1.06 HS Appr. 20.1.06 HS |