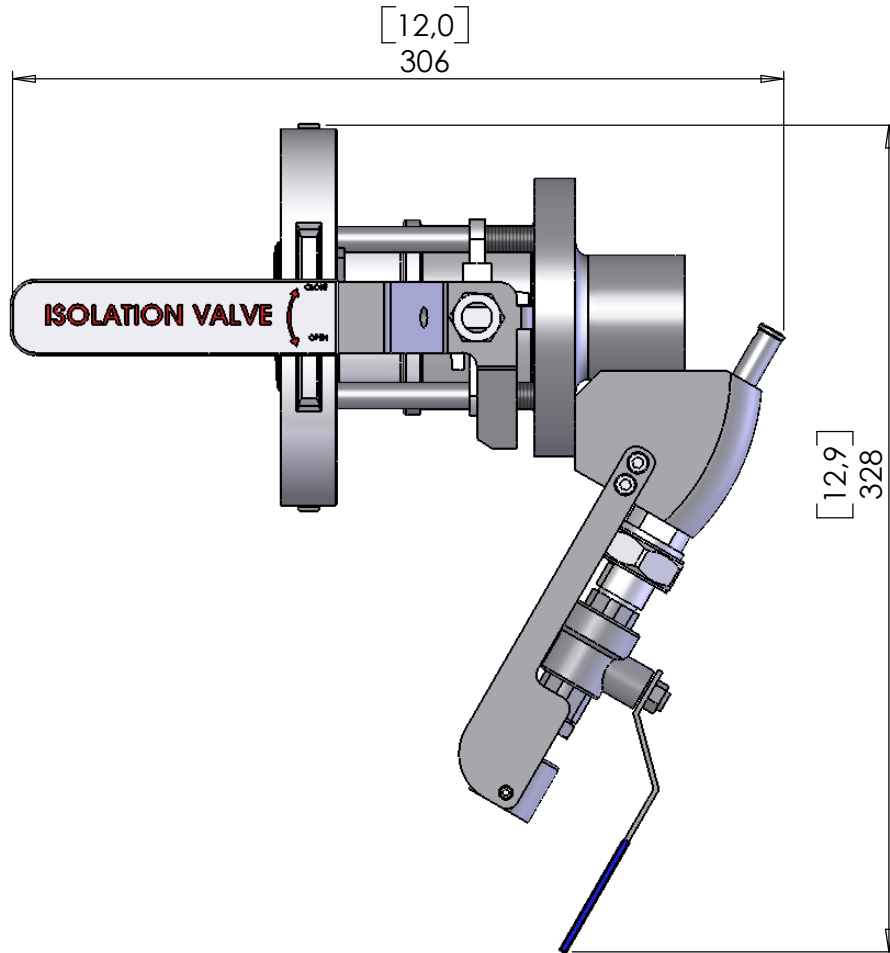
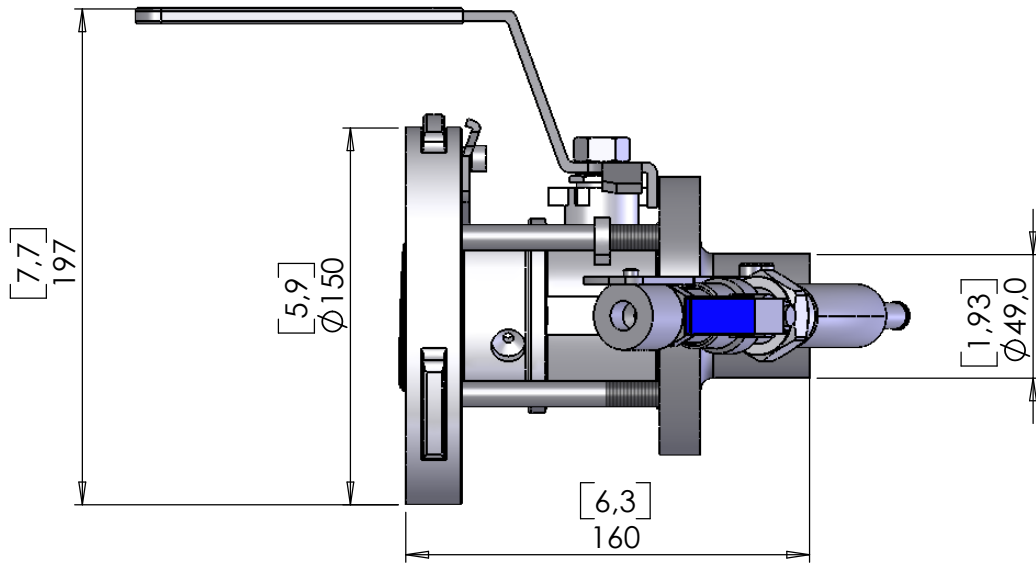


Mark	Rev.	Date	Rev. by	Appr.



Part no.	Drawing no.	Title/Name, designation	Standard	Dimensions, model no.	Quantity
----------	-------------	-------------------------	----------	-----------------------	----------

General tolerances SFS 4011 FINE	Scale 1 : 3	Join MRP0000	File DIM463	Material AISI316L	
-------------------------------------	----------------	-----------------	----------------	----------------------	--

	Drawing description SAFE-DRIVE isolation valve	
	Drawing number DIM463	Drawn 12.1.06 HS
		Appr. 12.1.06 HS