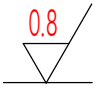
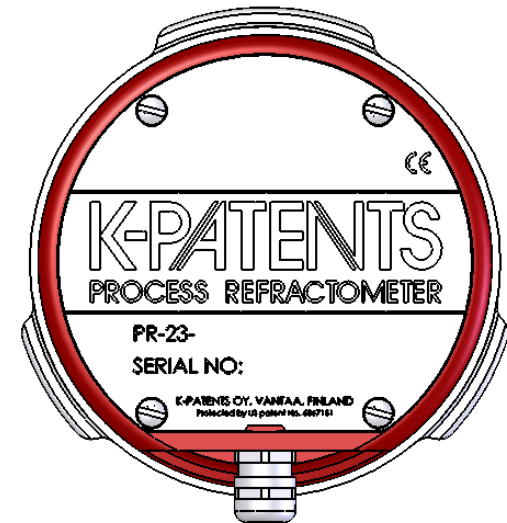
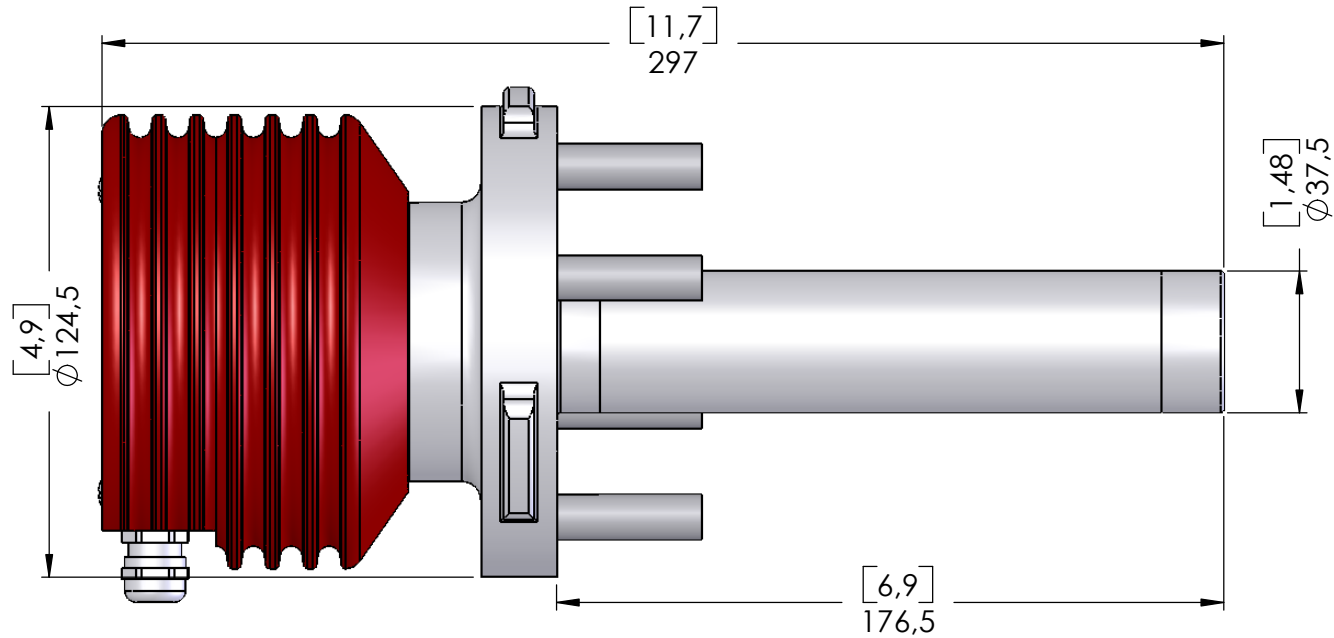


Mark	Rev.	Date	Rev. by	Appr.



Part no.	Drawing no.	Title/Name, designation	Standard	Dimensions, model no.	Quantity
General tolerances SFS 4011 FINE	Scale 1 : 1	Join MRP0000	File 000.DWG		
		Drawing description PR-23-SD sensor			
		Drawing number DIM462		Drawn 12.1.06 HS	Appr. 12.1.06 HS