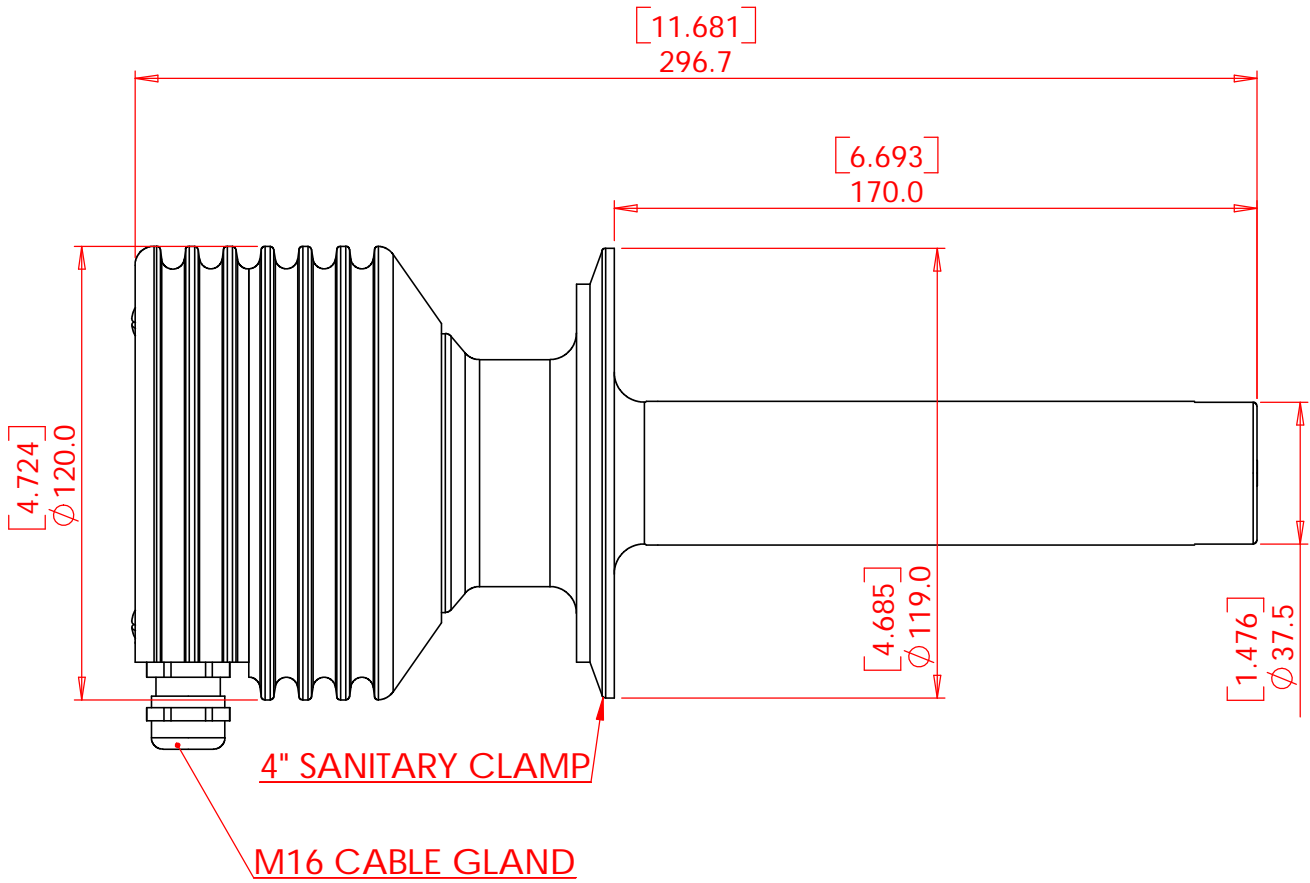


Mark	Rev.	Date	Rev. by	Appr.



Part no.	Drawing no.	Title/Name, designation	Standard	Dimensions, model no.	Quantity
General tolerances	Scale	Join	File	Material	
SFS 4011 FINE	1 : 2	MRP0000	DIM414.drw		
			Drawing description		
			PR-23-AP-R Sensor		
			Drawing number	Drawn	26.6.03 HS
			DIM414	Appr.	20.11.03 HS