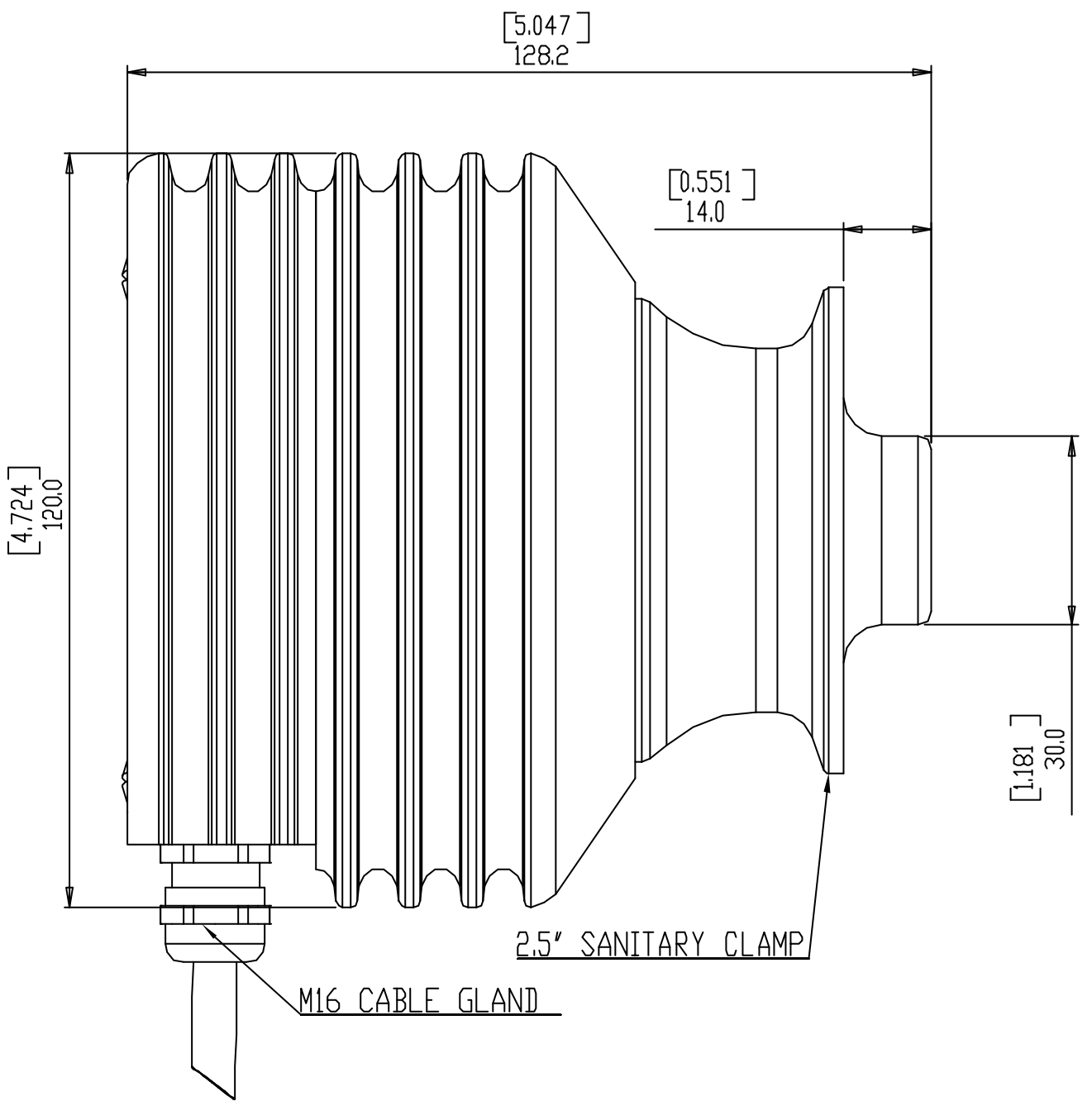


Mark	Rev.	Date	Rev. by	Appr.



Part no.	Drawing no.	Title/Name, designation	Standard	Dimensions, model no.	Quantity
----------	-------------	-------------------------	----------	-----------------------	----------

General tolerances SFS 4011 FINE	Scale 1 : 1	Join MRP0000	File DIM412	Material	
-------------------------------------	----------------	-----------------	----------------	----------	--

K-PATENTS PROCESS INSTRUMENTS	Drawing description	
	PR-23-AC-H sensor	
	Drawing number DIM412	Drawn 26.6.03 HS
		Appr. 19.08.04 AHä